

## Module for Single Input Clamp Control



**Size:** 7.00" x 4.00" x 4.00"

**Temperature:** 32 to 140°F

**Pressure Range:** 40 to 150 psig

**Use:** The Clippard VA-08 module uses a single input (from pneumatic foot pedal or button) to provide a simple and clean "OPEN/CLOSE" clamp control with adjustable pressure and speed controls.

The use of the VA-08 package offers special user benefits: saves time; reduces cost and labor of piping; automates product tasks with easy-to-apply unit; binary push button operation; speed control built-in; pressure regulation included; may be operated remotely; equipped with "Auto-Reset" feature so when supply is turned on, the clamp will always go to the open position.

Part No.	Description
<a href="#">VA-08</a>	Module Only
<a href="#">VA-08-FP</a>	Module with Foot Pedal Actuator
<a href="#">VA-08-GN</a>	Module with Green Palm Button

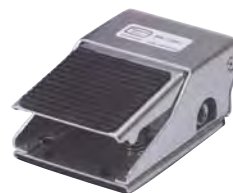
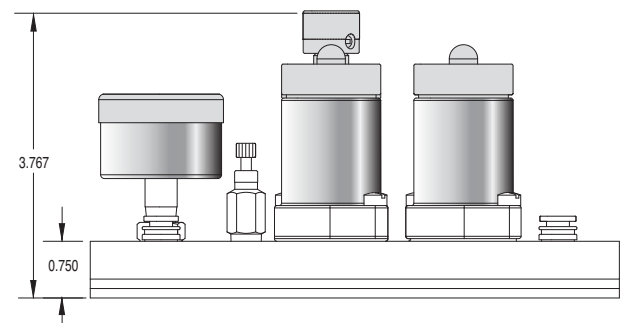
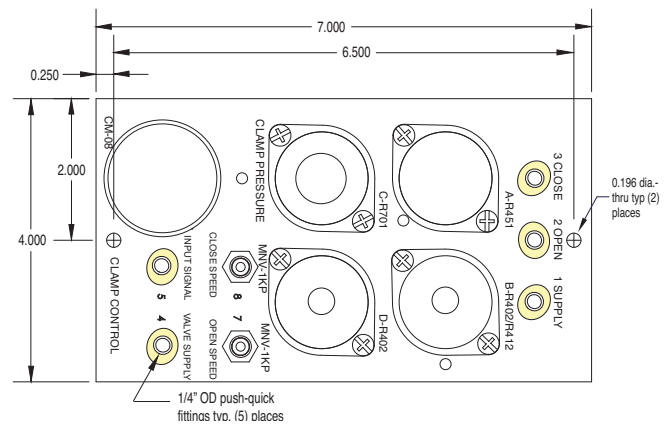
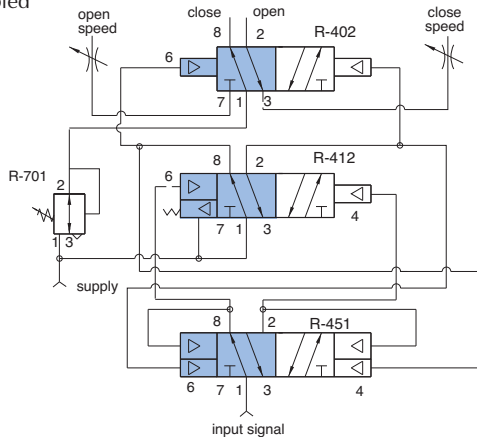
### Bill of Materials in Assembly

Qty.	Part No.	Description
1	<a href="#">R-402</a>	4-Way Modular Valve
1	<a href="#">R-412</a>	4-Way Modular Valve with Memory Reset
1	<a href="#">R-451</a>	4-Way Binary Trigger Modular Valve
1	<a href="#">R-701</a>	Regulator
1	<a href="#">CM-08-PO</a>	Circuit Manifold
2*	<a href="#">PQ-UE08P</a>	1/4" Universal Elbow Push-Quick Fitting
20*	<a href="#">URT1-0805-GNT</a>	1/4" O.D. Polyurethane Tubing, Green
2	<a href="#">MNV-1KP</a>	Miniature Needle Valve
1	<a href="#">PG-101</a>	Pressure Gauge
1*	<a href="#">MMV-F3QM-F</a>	Foot Pedal Actuator
1*	<a href="#">PB-1-GN</a>	Green Palm Button
2	<a href="#">15070</a>	Noise Muffler

\* Only on designated Part Numbers as shown below

All components are also available for purchase

The **CM-08** subplate is available with 1/8" NPT threads and no valve assembled



1 Foot Pedal Actuator (MMV-F3QM-F) and fittings included with Part No. [VA-08-FP](#)



1 Green Palm Button (PB-1-GN) is included with Part No. [VA-08-GN](#)